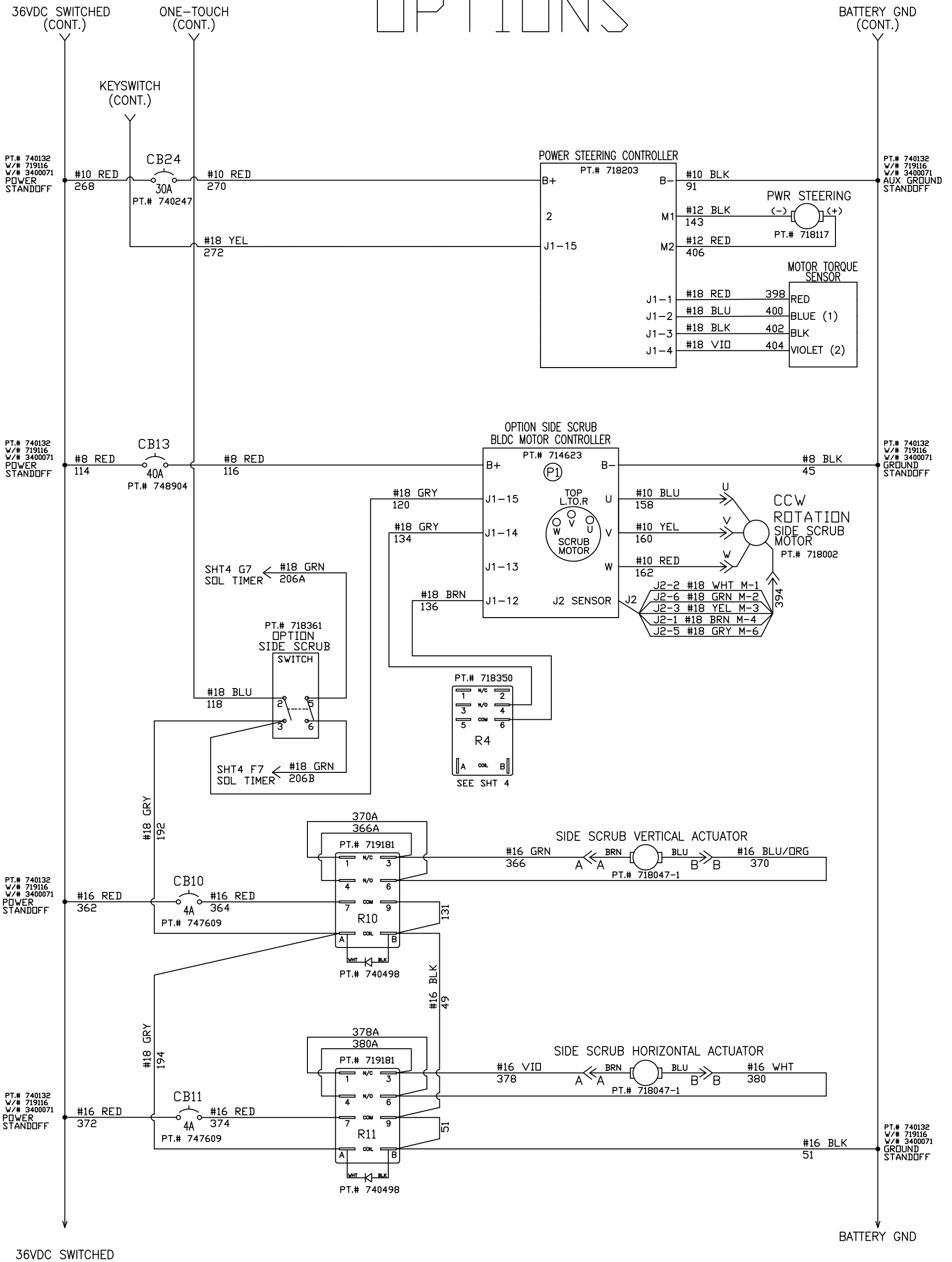


# OPTIONS



CONFIDENTIAL			
THIS DRAWING AND ALL INFORMATION CONTAINED THEREIN ARE THE EXCLUSIVE PROPERTY OF MINUTEMAN INTERNATIONAL, INC. THIS DRAWING IS NOT TO BE COPIED OR OTHERWISE REPRODUCED WITHOUT EXPRESSED WRITTEN PERMISSION OF MINUTEMAN INTERNATIONAL, INC. IN ADDITION, THIS DRAWING MUST BE RETURNED UPON REQUEST. FURTHER, ALL INFORMATION CONTAINED HEREIN MUST BE MAINTAINED CONFIDENTIAL.			
TITLE SCHEMATIC, NAUTILUS E CYLINDRICAL			SCALE NTS
MATERIAL N/A		FINISH N/A	
TOLERANCES (UNLESS OTHERWISE SPECIFIED)		REMOVE BURRS AND BREAK SHARP EDGES .005/.020	
0-1" ± 1/16	.000 ± .005	SIZE B	DRAWN BY KEN.HARTLEY
>1-12" ± 1/4"	.00 ± .010	CHECKED BY KEN.HARTLEY	DATE 03/13/20
<12" ± 1/2"	ANGLES ± 30'		DATE 03/13/20
B 151406 07/27/20 UPDATED CE OPTIONS REV E.C.N. DATE CHANGE BY CHK BY		P.N. 719551 SHEET 5 OF 5	

14N845 U.S. ROUTE 20  
 PINGREE GROVE, IL 60140